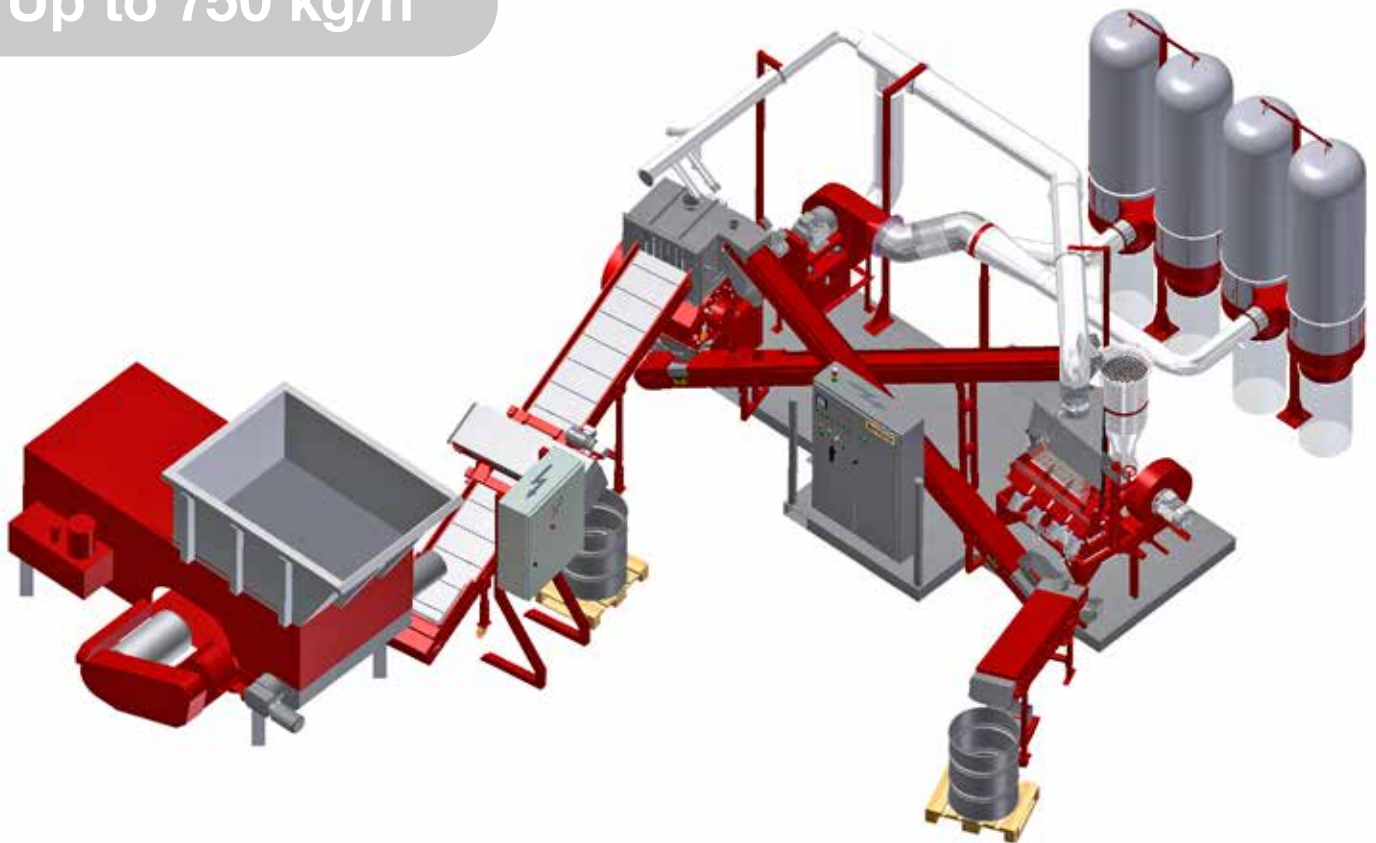


Up to 750 kg/h



POWERKAT C (PK C)

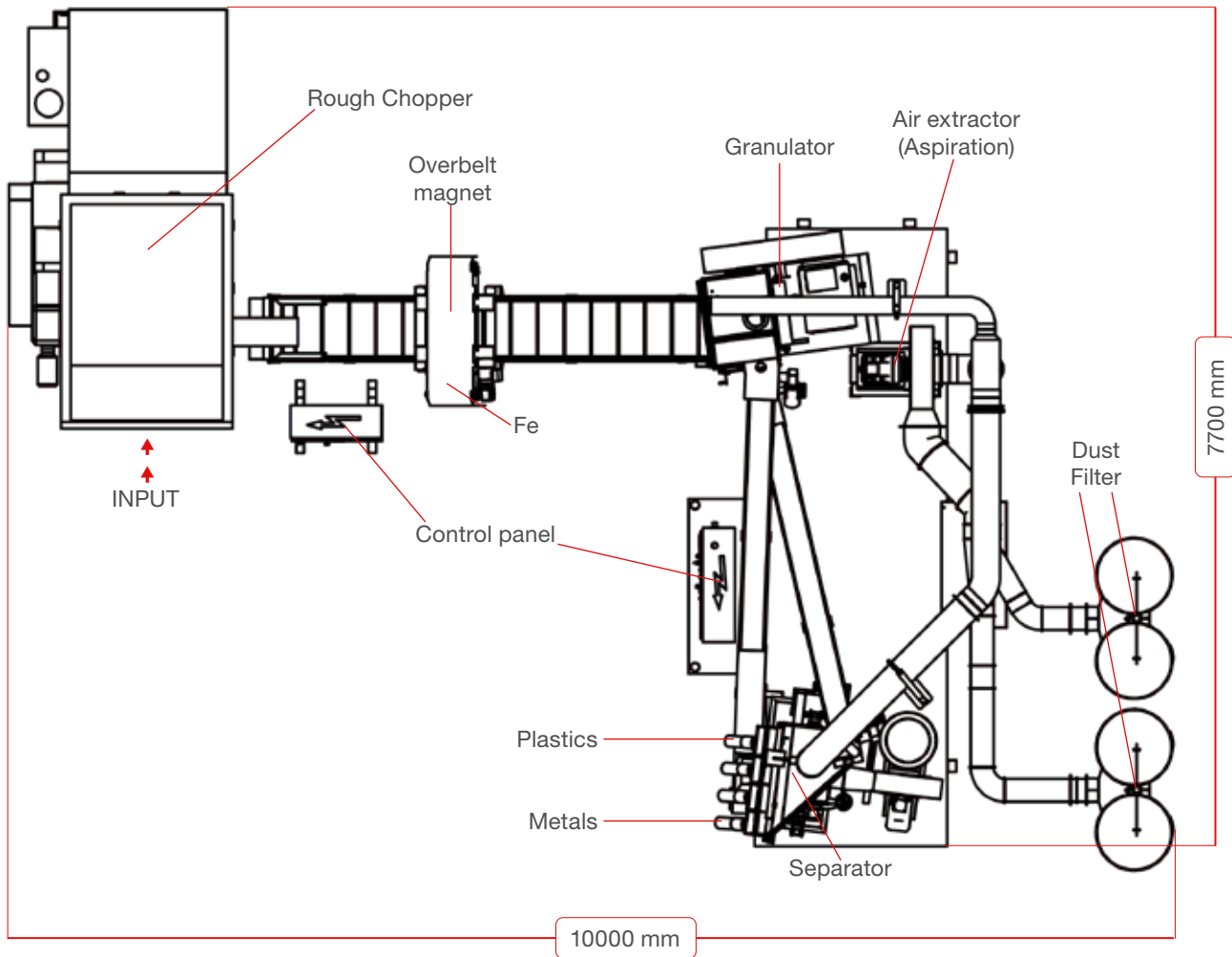
A cable recycling plant with an excellent price/performance ratio made for tough conditions with low investment costs at an overall low cost of ownership.

The Powerkat C (PK C) has typically a capacity of 750 kg/h for cable with a Cu content of 50-60% (capacity depending on type of cable).

- Suitable for all types of dry cable (up to 2 mm steel reinforcement)
- Cable coils and bundles can be fed into the Rough Chopper
- Cable diameter max. 75 mm, length max. 750 mm
- Suitable for forklift or crane feeding
- Rough Chopper including hard metal knife system for long life span, hydraulic pusher, automatic buffer feeding
- No buffer silo between Rough Chopper and Granulator
- Granulator with wear plates of HARDOX
- Manual filter without Pre-Cyclone
- Metal purity: minimum 99.5%
- For additional steel removal: optional belt conveyor with drum magnet after Separation Table



Powerkat C



Technical Specifications	Powerkat C	Dimensions
Main machines		Units (EN)
Rough Chopper MRC37-1000 with hydraulic pusher	37+4	kW
Rotor knives	84	pcs
Fixed knives	3	pcs
Hopper volume	1.5	m ³
Belt conveyor with overbelt magnet for steel removal	0.55+0.25	kW
Granulator GR37-500	37	kW
Rotor knives	5	pcs
Fixed knives	2	pcs
Separator SE40 with electronic speed regulation	0.55	kW
Deck area	0.4	m ²
Blower for separator with air intake filter	3.0	kW
Air extractor (aspiration)	7.5	kW
Air amount	4500	m ³ /h
Total installed power	95	kW
Weight, approx.	10.000	kg
Maximum infeed capacity*	750	kg/h

*Based on cable with copper content of 50-60%
 Additional equipment for recovery of fines from the plastic is available on request
 With reservation for technical alterations

